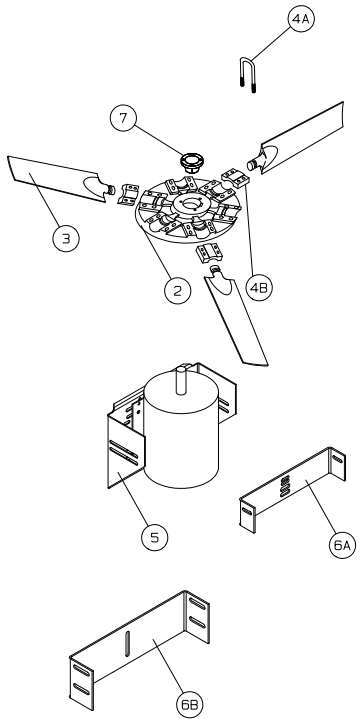
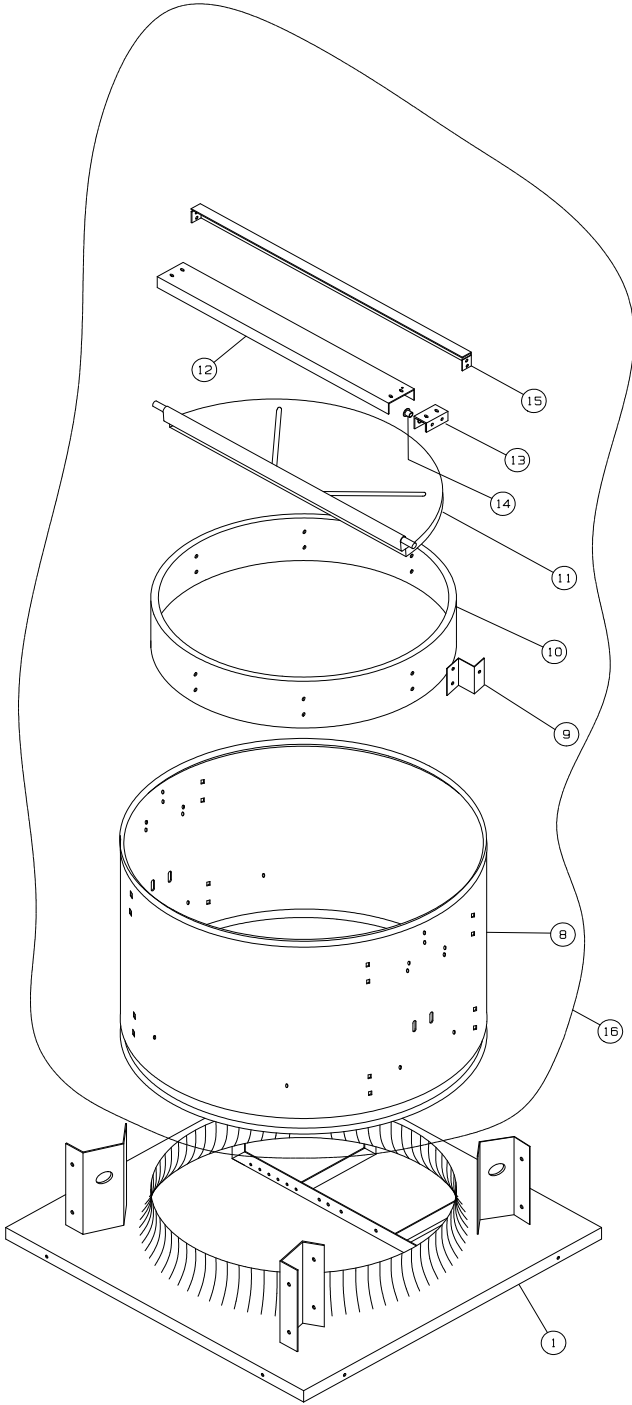




# JDC 24-36 Power Roof Ventilators Parts List





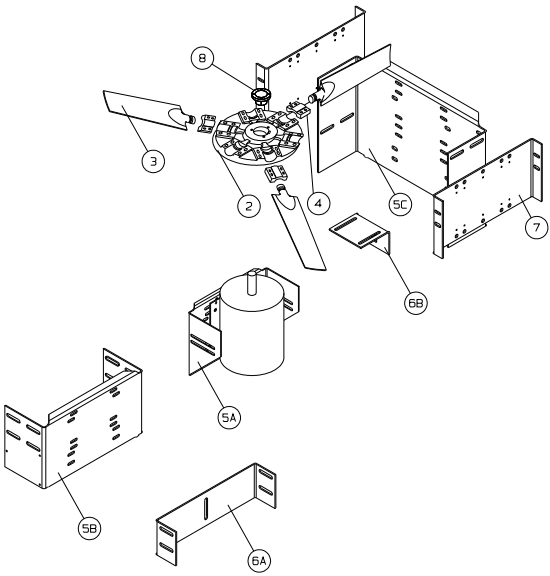
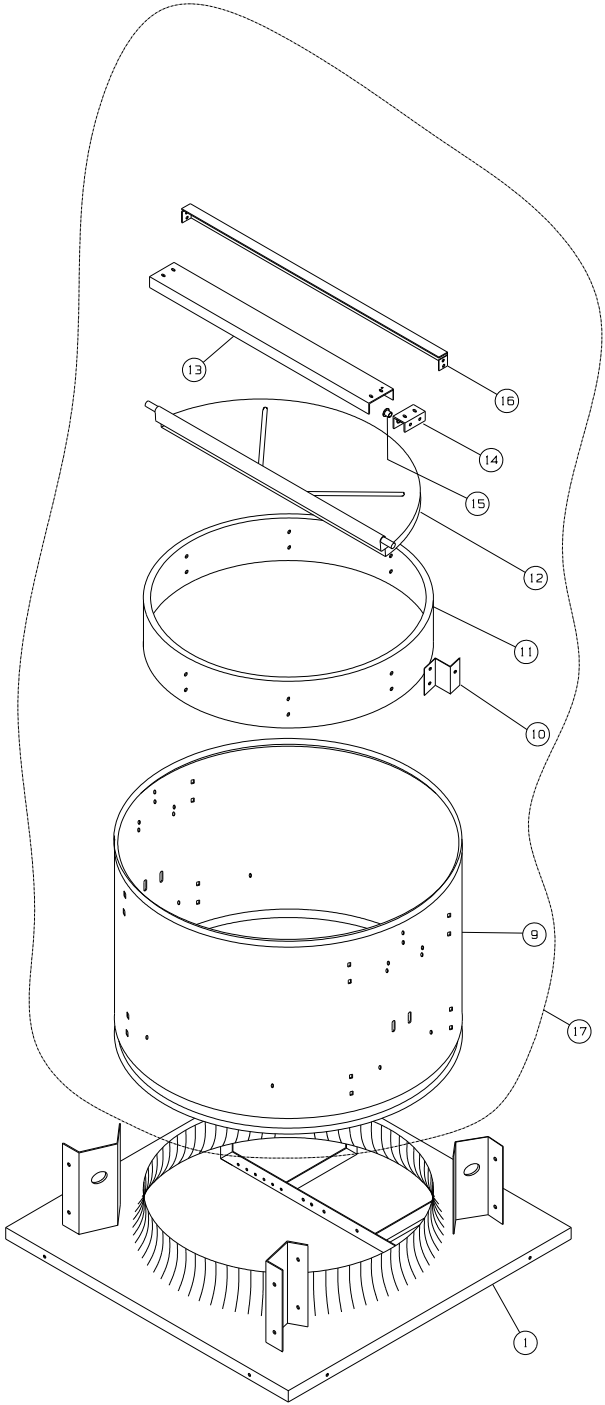
## JDC 24-36 Power Roof Ventilators Parts List

CODE	DESCRIPTION	QTY	24		30		36 (870 & 1160 RPM Models Only)		36 (1750 RPM Models Only)	
			56-145T	182T-215T	56-145T	182T-215T	56-145T	182T-215T	56-145T	182T-215T
1	PRV Base Assembly	1	55-40-21-24		55-40-21-30		55-40-21-36			
2	Hub	1	CALL		CALL		CALL		CALL	
3	Blade	*	14-111-3-3		14-111-3-5		14-111-3-7		14-211-6-9	
4A	U-Bolt	*	1204.12-304						_____	
4B	Blade Clamp	*	_____						14-122-7-1	
5	Motor Bracket	1	14-161-30-1				14-161-31-1			
6A	Motor Safety Brace	1	_____	14-101-25-1	_____	14-101-25-1	_____			
6B			_____				14-101-26-1	_____	14-101-26-1	
7	Hub Bushing	1	_____				CALL		CALL	
8	Outer Wind Band	2	14-182-7-1		14-182-7-2		14-182-7-3			
9	Z-Clip	8	14-122-66-1							
10	Inner Wind Band	2	14-182-14-2		14-182-14-3		14-182-14-4			
11	Shroud Door	2	14-228-8-2		14-228-8-3		14-228-8-4			
12	Rain Deflector	1	14-105-1-2		14-105-1-3		14-105-1-4			
13	Bearing Block	2	14-108-12-1							
14	Bearings	2	14-116-3-2							
15	Door Stop Angle	2	14-102-42-10		14-102-42-11		14-102-42-12			
16	Shroud Assembly	1	55-22-3-24		55-22-3-30		55-22-3-36			

\* Quantity varies with fan model



# JDC 42-60 Power Roof Ventilators Parts List





## JDC 42-60 Power Roof Ventilators Parts List

CODE	DESCRIPTION	QTY	42		48		54		60		
			56-145T	182T-215T	182T-215T	254T-256T	213T-215T	254T-256T	213T-215T	254T-256T	
1	PRV Base Assembly	1	55-40-21-42		55-40-25-48		55-40-25-54		55-16-25-60		
2	Hub	1	CALL		CALL		CALL		CALL		
3	Blade	*	CALL		CALL		CALL		CALL		
4	Blade Clamp	*	14-122-7-1								
5A	Motor Bracket	1	14-161-31-1		_____						
5B			_____	14-161-32-1	_____	14-161-32-1	_____	14-161-32-1	_____		
5C			_____	_____	14-161-34-1	_____	14-161-34-1	_____	14-161-34-1		
6A	Motor Safety Brace	1	_____	14-101-26-1	14-101-26-1	_____	14-101-26-1	_____	14-101-26-1	_____	
6B			_____	_____	14-101-20-1	_____	14-101-20-1	_____	14-101-20-1		
7	Motor Bracket Adaptor	2	_____		14-101-5-1	_____	14-101-5-1	_____	14-101-5-1		
8	Hub Bushing	1	CALL		CALL		CALL		CALL		
9	Outer Wind Band	2	14-182-7-4		14-182-7-5		14-182-7-6		14-182-7-7		
10	Z-Clip	8	14-122-66-1								
11	Inner Wind Band	2	14-182-14-5		14-182-14-6		14-182-14-7		14-182-14-8		
12	Shroud Door	2	14-228-8-5		14-228-8-6		14-228-8-7		14-228-8-8		
13	Rain Deflector	1	14-105-1-5		14-105-1-6		14-105-1-7		14-105-1-8		
14	Bearing Block	2	14-108-12-1								
15	Bearings	2	14-116-3-2								
16	Door Stop Angle	2	14-102-42-13		14-102-42-14		14-102-42-15		14-102-42-16		
17	Shroud Assembly	1	55-22-3-42		55-22-3-48		55-22-3-54		55-22-3-60		

\* Quantity varies with fan model